

# Kysan Electronics

## Specification

客户名称(Customer) : \_\_\_\_\_

品 名(Part Name): DC Brushless Fan

规格型号(Model No.): 69829

样品数量(Quantity) : \_\_\_\_\_

日 期(Date) : 2014-02-11

客户承认签章 CUSTOMER APPROVED	

APPROVED		CHECKED		PREPARED	
----------	--	---------	--	----------	--

## 1.General Specification

项目 Item	描述 Description	测试条件 Condition
1-1. 外形尺寸 Dimension	40x40x10mm	
1-2. 轴承 Bearing Type	含油轴承 Sleeve Bearing	
1-3. 电路板名称 PCB Name		
1-4. 额定电压 Rated Voltage	DC24V	
1-5. 操作电压 Operating Voltage	DC15V~27V	
1-6. 启动电压 Start-up Voltage	<15V	
1-7. 额定电流 Rated Current	<0.06+ 10% MAX	At Rated Voltage: A.25℃ B.65%RH C.Measured after 5minutes
1-8. 额定功率 Rated Power	<1.44W + 10%	
1-9. 额定转速 Rated Speed	6000rpm/min ± 10%	
1-10. 最大风量 Max. Air Flow	6.56CFM	A.PQ Measurement Apparatus B.Standard: AMCA C.Rated Voltage D.Rated Current
	0.186m <sup>3</sup> /h	
1-11. 最大静压 Max.Static Pressure	3.375mm-H <sub>2</sub> O	
	0.133inch-H <sub>2</sub> O	
1-12. 噪音 Noise level	26.1dBA	A.Rated Voltage B.Mute Room C.Distance:1M D.Background Noise: <18dB
1-13. 寿命预估 Life Expectance	20,000hrs at 40℃	
1-14. 马达极数 Pole	4Poles	
1-15. 旋转方向 Rating Direction	Clock Wise(from the label side)	
1-16. 产品重量 Weight of fan	12g	

## 2.Electrical Specification

项目 Item	条件 Condition
2-1.锁定扇叶保护功能 Locked Rotor Protection	● 安规条件 Safety Condition
	○ 额定电压下风扇被锁定时，自动断电，并在 2 至 6 秒内自动尝试启动 Auto power off after locked at rated voltage for 1sec. And then circuit attempt to restart in 2 to 6 sec.
2-2.极性保护 Polarity Protection	● Vcc 与 GND 反接时，不导通 Open circuit when Vcc&GND are exchanged
	○ Vcc 与 GND 反接时，5 秒内不烧毁 Circuit won't be burned within 5seconds when Vcc&GND are exchanged
2-3.绝缘阻抗 Insulation Resistance	At least 10MΩ at 500 VDC between housing and both lead wires

2-4.绝缘耐压 Dielectric strength	Withstand 500 VAC 1 minute 1mA between housing and both lead wires	
2-5.特殊功能 Special Function	<input type="checkbox"/> 软启动 Soft Start 5s (0 to Max speed)	<input type="checkbox"/> CS 功能(恒定功能) 额定电压至最高承受电压范围内,转速保持恒定不变
	<input type="checkbox"/> PWM 调速功能	<input type="checkbox"/> VC 模拟电压信号调速
	<input type="checkbox"/> TC 调速功能	<input type="checkbox"/> RC 电阻调速
	<input type="checkbox"/> FG 频率发生器	
	<input type="checkbox"/> RD 运转状态监测, 停转报警	
	<input type="checkbox"/> LD 功能: 转速低于设定值报警	

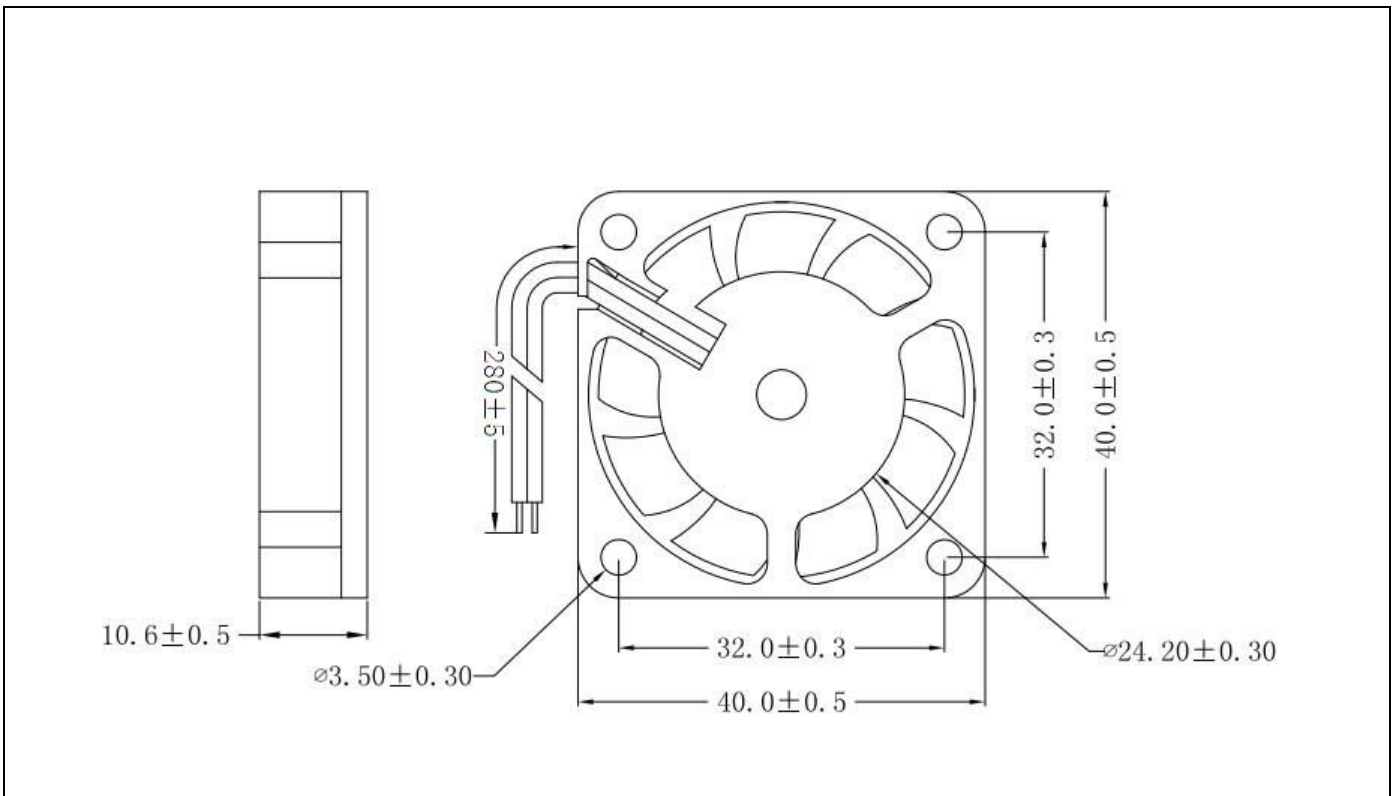
### 3.Specification of Main Material

3-1.外框材质 Frame	PBT UL94-V0
3-2.扇叶材质 Propeller	PBT UL94-V0
3-3.绝缘架 Bobbin	PBT UL94-V0
3-4.导线 Lead wires	Red(+), Black(-) UL1007#26AWG, L=280±5mm, 2wires
3-5.端子 Connector	None
3-6 商标 Label Marking	型号/Model No: RSH4010S24N60 0.06A 额定电压/Rated Voltage: DC 24V 安规电流/Rated Current: 0.06A

### 4.Environmental Specification

项目 Item	条件 Condition
4-1.运转温度, 湿度范围 Operating Temp. Humidity Range	Temperature: -10~+70℃
	Humidity :15%~90%RH
4-2.保存温度, 湿度范围 Storage Temp. Range	Temperature: -20~+85℃
	Humidity :15%~90%RH

### 5.Drawing:



6.Note:

6-1. 使用时请勿超出本规格所规定之极限，否则我们不保证此产品。

We will not guarantee the products if the application of our products are exceeded the limitation which is specified on this specification.

6-2.倘若要变更此份文件的任何规格，请务必事先提出需求。

In case of changes of the specification specified on this document.A written notice is requested in advance.

6-3.请勿触压着叶片以及电源线缠绕着风扇或用力拉扯电源线，如此轴心与电源线将会被损毁。

Please do not touch the impeller with the pressure and never bring the fan with lead wire.The bearing and lead wire may be damaged.

6-4. 本产品不保证因粉尘、水滴、小虫进入，而影响寿命与不良品产生。

No guarantee on the products against the safety problem or failure caused by powder dust, drop of water or insect.

6-5.如有任何资料及文件与此份资料不同，将以此份资料为主要参考。

If there is any data or related documentation different from this data sheet.This data sheet is the principle reference.

6-6.请勿在可燃性气体与任何有害环境中使用。

Please do not use the fan in the environment of corrosive gas or liquid or any detrimental gas.

6-7.请于六个月内使用，否则风扇存放在很高温或很低温，温度很高或室温中风扇于六个月后会有漏电流产生。

Please do not store the fan in the environment of high/low temperature, high humidity or detrimental gas. Please store within six months, every six months, shall be a leakage of electric current to the fan, even though the fan is stored in room.

6-8.组装风扇时，请特别注意，因共振或振动产生的噪音。

During the installation of the fan, please pay substantial attention to possible noise caused by resonance vibration and shock.

6-9.当搬运或作业中，风扇如从 60cm 的高度落下，将会对叶片的平衡产生若干影响，特别是滚珠轴承避免掉落。

It is very important to notify that avoid to drop from 60cm height when in any movement or operation, it will impact the balance of blade. Especially ball bearing structure is avoided to drop down.

6-10.锁外壳之螺丝扭力不得超 4Kgf。

The torque of the screw which locked the frame should not exceed 4 Kgf.

6-11.当风扇在运转时，请不要触摸叶片，这样非常危险，容易伤害到您的手指。

It's very dangerous, please don't touch the blade when the fan at full speed running, be careful you're finger!

6-12. 当风扇运转时，请不要向下压扇叶，这样有可能损坏风扇内部的元件。

Please do not touch the impeller with the pressure when the fan is running, the component of inside motor driver may be soft damaged.