



- Data Group: 2739
- SKU: 69829
- Weight (Kg): 0.5000
- Description: TF4010-24H-S
- HS Code:
- Applications:

1.General Specification

项目Item	描述Description	测试条件Condition
1-1. 外形尺寸Dimension	40X40X10mm	
1-2. 轴承 Bearing Type	含油轴承 Sleeve Bearing	
1-3. 电路板名称 PCB Name		
1-4. 额定电压Rated Voltage	DC24V	
1-5. 操作电压Operating Voltage	DC15V-27V	
1-6. 启动电压Start-up Voltage	<15V	
1-7. 额定电流Rated Current	<0.06+ 10% MAX	
1-8. 额定功率Rated Power	<1.44W + 10%	At Rated Voltage: A.25°C B.65%RH C.Measured after 5minutes
1-9. 额定转速Rated Speed	6000rpm/min±10%	
1-10. 最大风量Max. Air Flow	6.56CFM	1. PQ Measurement Apparatus 2. Standard: AMCA 3. Rated Voltage 4. Rated Current
	0.186m3/h	
1-11. 最大静压Max.Static Pressure	3.375mm-H2O	
	0.133inch-H2O	
1-12. 噪音Noise level	26.1dBA	1. Rated Voltage 2. Mute Room 3. Distance:1M 4. Background Noise: <18dB
1-13. 寿命预估Life Expectance	20,000hrs at 40°C	
1-14. 马达极数Pole	4Poles	
1-15. 旋转方向Rating Direction	Clock Wise(from the label side)	
1-16. 产品重量 Weight of fan	12g	

2.Electrical Specification

项目Item	条件Condition
2-1. 锁定扇叶保护功能 Locked Rotor Protection	<ul style="list-style-type: none"> ● 安规条件 Safety Condition ○ 额定电压下风扇被锁定时，自动断电，并在2至6秒内自动尝试启动Auto power off after locked at rated voltage for 1sec. And then circuit attempt to restart in 2 to 6 sec.

2-2.极性保护 Polarity Protection	<ul style="list-style-type: none"> ● Vcc与GND反接时, 不导通 Open circuit when Vcc&GND are exchanged 	
	<ul style="list-style-type: none"> ○ Vcc与GND反接时, 5秒内不烧毁 Circuit won't be burned within 5seconds when Vcc&GND are exchanged 	
2-3.绝缘阻抗 Insulation Resistance	At least 10MΩ at 500 VDC between housing and both lead wires	
2-4.绝缘耐压 Dielectric strength	Withstand 500 VAC 1 minute 1mA between housing and both lead wires	
2-5.特殊功能 Special Function	<ul style="list-style-type: none"> ○软启动Soft Start 5s (0 to Max speed) 	<ul style="list-style-type: none"> ○CS功能(恒定功能) 额定电压至最高承受电压范围内,转速保持恒定不变
	<ul style="list-style-type: none"> ○PWM调速功能 	<ul style="list-style-type: none"> ○VC模拟电压信号调速
	<ul style="list-style-type: none"> ○TC调速功能 	<ul style="list-style-type: none"> ○RC电阻调速
	<ul style="list-style-type: none"> ○FG频率发生器 	
	<ul style="list-style-type: none"> ○RD运转状态监测,停转报警 	
	<ul style="list-style-type: none"> ○LD功能:转速低于设定值报警 	

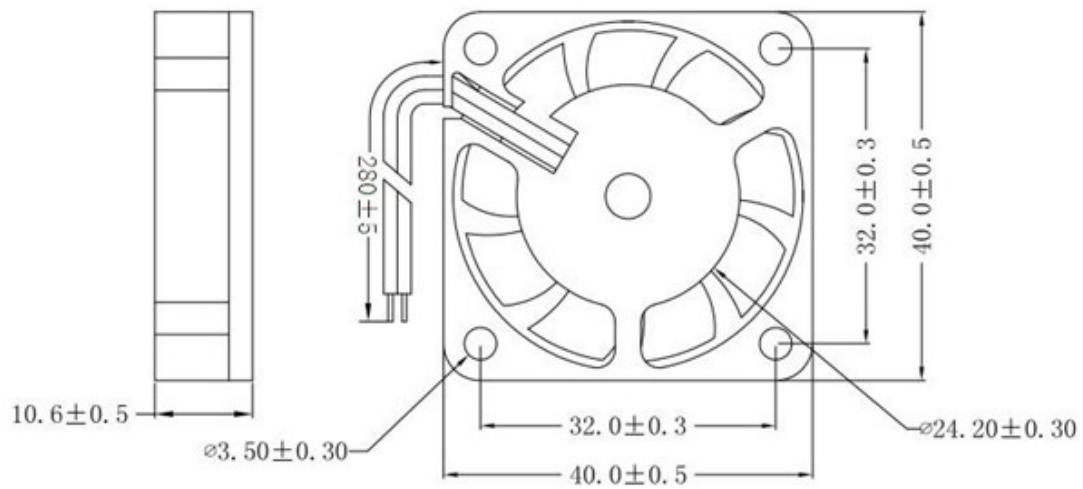
3.Specification of Main Material

3-1.外框材质 Frame	PBT UL94-V0
3-2.扇叶材质 Propeller	PBT UL94-V0
3-3.绝缘架 Bobbin	PBT UL94-V0
3-4.导线 Lead wires	Red(+), Black(-) UL1007#26AWG, L=280±5mm, 2wires
3-5.端子 Connector	None
3-6.商标 Label Marking	型号/Model No : RSH4010S24N60 0.06A 额定电压/Rated Voltage : DC 24V 安规电流/Rated Current: 0.06A

4.Environmental Specification

项目 Item	条件 Condition
4-1.运转温度, 湿度范围 Operating Temp. Humidity Range	Temperature: -10~+70°C
	Humidity :15%~90%RH
4-2.保存温度, 湿度范围 Storage Temp. Range	Temperature: -20~+85°C
	Humidity :15%~90%RH

5.Drawing:





69829

DC Fan Sleeve Bearing

6.56 CFM 26.1dBA

DC 24 V ---- 0.06A

CE RoHS

Made In China