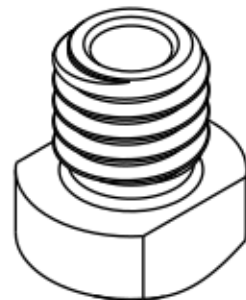
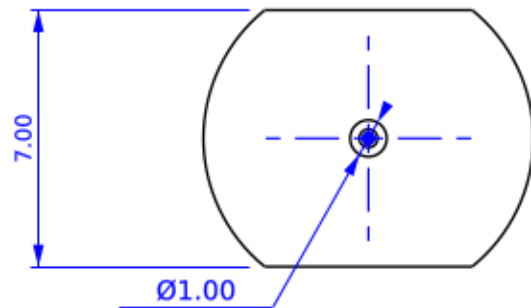


SECTION A-A



NOTES:

1. Parts must be ROHS compliant.
2. Engrave nozzle size on side as shown.
3. remove all burs and shavings.

Material / Finish:

- * Material: A2 hardened steel
- * Finish: heat treated TwinCladXT

DRAWN BY: **Baldwin** DATE: **10/28/16**

MATERIAL: **A2 hardened steel**

UNLESS OTHERWISE SPECIFIED
DIMENSIONS ARE IN MILLIMETERS.
TOLERANCES ARE:

DECIMALS	ANGLES
.X±.75	X'±1°
.XX±.25	
.XXX±.125	
.XXXX±.050	63

BREAK EDGES 0.1/0.5
FILLET RADIUS 0.1/0.5



**ALEPH
OBJECTS**
INCORPORATED

626 West 66th Street
Loveland, Colorado 80538, USA
Phone +1-970-377-1111
www.alephobjects.com

TITLE
A2 Steel hexagon nozzle

SIZE **A** DWG NO. **Drawing number**

REV.
IR

SCALE **4:1** DO NOT SCALE DRAWING SHEET **1 of 1**