

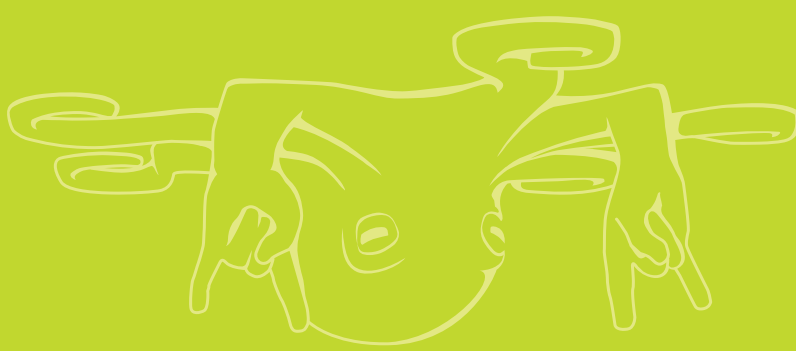
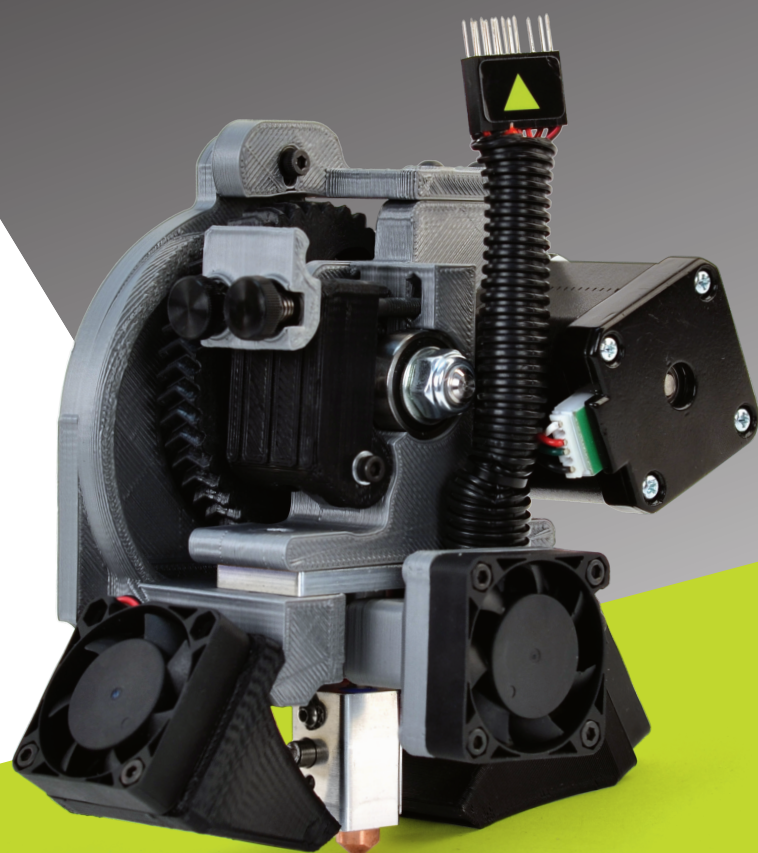
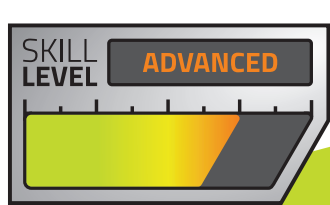
MOAR STRUDER TOOL HEAD



MOAR STRUDER TOOL HEAD

Bigger, Faster, Stronger, MOAR!

- 3D Print up to 100 grams (.22 lbs) per hour!
- Layer heights from .3mm to 1.2mm
- Max. printing temperature 300°C (572°F)
- Compatible with many different Fused Filament Fabrication (FFF) materials



FREE SOFTWARE
LIBRE INNOVATION
OPEN SOURCE HARDWARE

FREE SOFTWARE
LIBRE INNOVATION
OPEN SOURCE HARDWARE



Part No: KT-CP0108

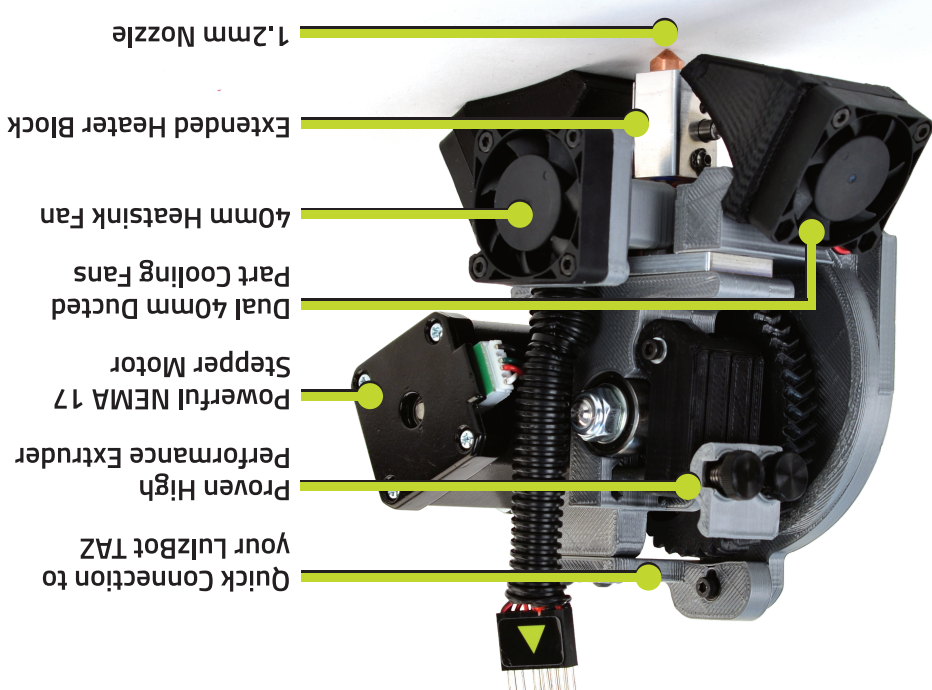


US000053

This packaging was designed with Free Software. All photos, graphics, and text are licensed CC BY-SA 4.0 International by Alphe Objects, Inc.

- 3D Print up to 100 grams (.22 lbs) per hour!
- Layer heights from .3mm to 1.2mm
- Max. printing temperature 300°C (572°F)
- Compatible with many different Fused Filament Fabrication (FFF) materials

Bigger, Faster, Stronger, MOAR!



- Quick Connection to your LulzBot TAZ
- Proven High Performance Extruder
- Powerful NEMA 17 Stepper Motor
- Dual 40mm Ducted Part Cooling Fans
- 40mm Heatsink Fan
- Extended Heater Block
- 1.2mm Nozzle

- In the Box:
 - LulzBot TAZ MOARStruder Tool Head
 - M3 x 20mm mounting screw and washer
 - One (1) sample length of t-glass filament
 - PVA-based glue stick
- Not Included:
 - LulzBot TAZ Desktop 3D Printer
 - 2.5mm hex key
- Printer Compatibility:
 - LulzBot TAZ 6
 - LulzBot TAZ 5 with .50mm Nozzle
- Please see the MOARStruder product page at LulzBot.com for information regarding use with earlier generation TAZ 3D printers

Tool head for LulzBot TAZ 3D printers enabling high-speed, high-strength 3D printing.

MOAR STRUDER TOOL HEAD

