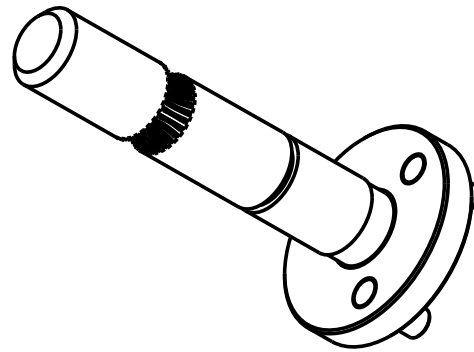
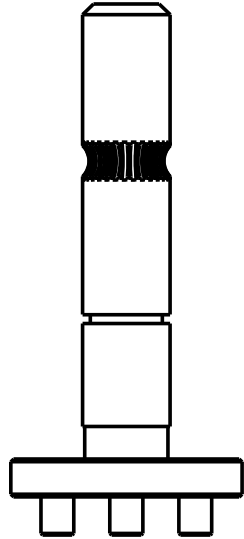
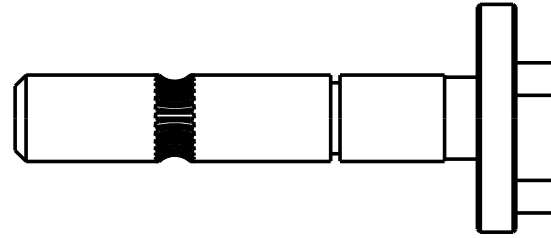
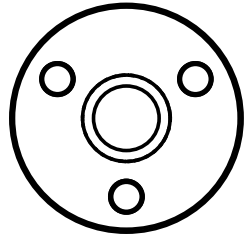


part #	source file	quantity
1	planetary_drop_in_hobbed_shaft	1
2	planetary_drop_in_dowel_pin	3



Notes:

1. Hobbed shaft to be turned from 303 stainless
2. Press fit M3x8 dowel pins til flush with to side of flange
3. Break all edges
4. Part must be clean and free of oil and debris

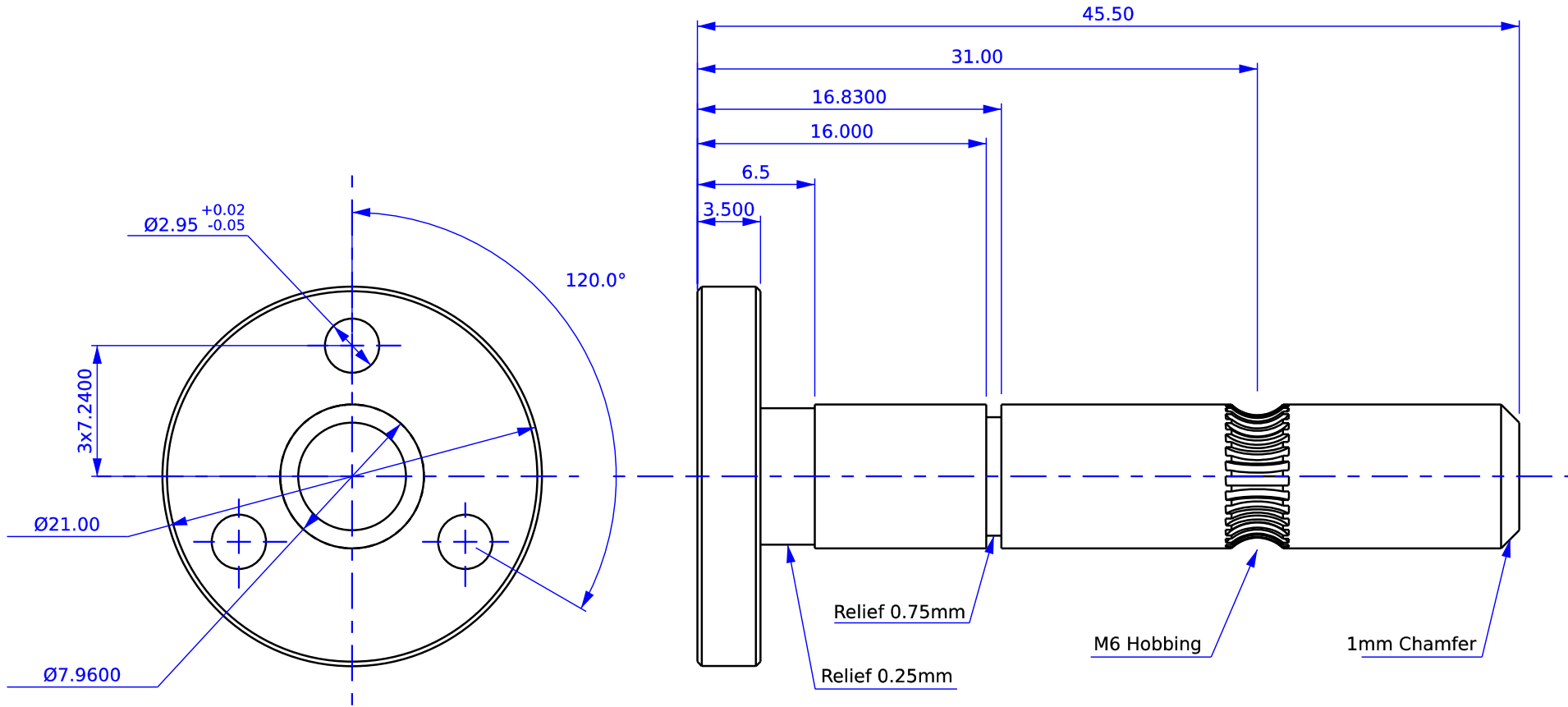
DRAWN BY: BALDWIN	DATE: 11/4/16
MATERIAL: 304 stainless	
UNLESS OTHERWISE SPECIFIED DIMENSIONS ARE IN MILLIMETERS. TOLERANCES ARE:	
DECIMALS .X±.75 .XX±.25 .XXX±.125 .XXXX±.050	ANGLES X°±1° 63°
BREAK EDGES 0.1/0.5 FILLET RADIUS 0.1/0.5	



**ALEPH
OBJECTS**
INCORPORATED

626 West 66th Street
Loveland, Colorado 80538, USA
Phone +1-970-377-1111
www.alephobjects.com

TITLE Planetary output shaft with hobbing			
SIZE A	DWG NO. Drawing number	REV. IR	
SCALE N/A	DO NOT SCALE DRAWING	SHEET 1 of 2	



TITLE			
HOBBED SHAFT			
SIZE	DWG NO.	REV.	
A	Drawing number	IR	
SCALE	N/A	DO NOT SCALE DRAWING	SHEET 2 of 2