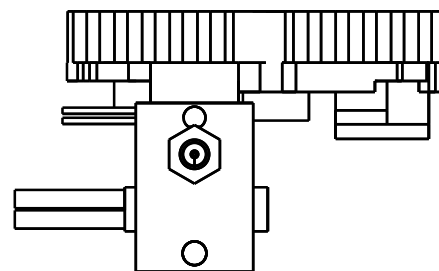
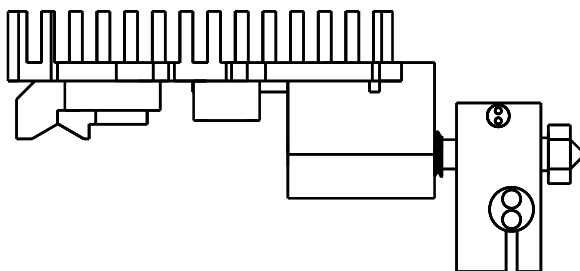
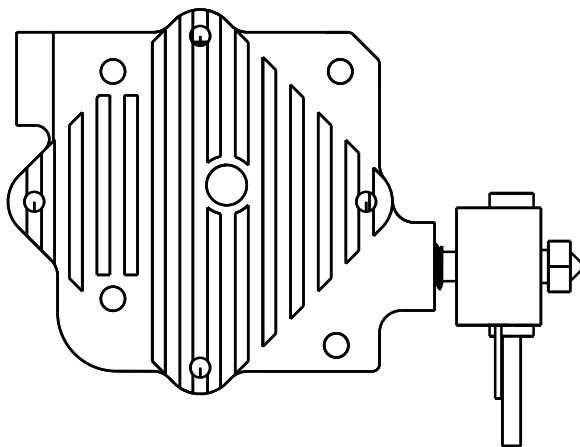


Notes

- V6 heater block with 0.5mm hardened steel nozzle
- Center heater cartridge in block
- 24v 40W heater cartridge 195mm length
- Thermistor cartridge style thermistor
- Use Gunnison/MOARstruder connector and terminations



DRAWN BY:
West

DATE:
2/27/19

MATERIAL:
NA



**ALEPH
OBJECTS**
INCORPORATED

626 West 66th Street
Loveland, Colorado 80538, USA
Phone +1-970-377-1111
www.alephobjects.com

UNLESS OTHERWISE SPECIFIED
DIMENSIONS ARE IN MILLIMETERS.
TOLERANCES ARE:

DECIMALS	ANGLES
.X±.75	X°±1°
.XX±.25	
.XXX±.125	
.XXXX±.050	63

BREAK EDGES 0.1/0.5
FILLET RADIUS 0.1/0.5

TITLE **E3D Aero Hot End, 0.5mm nozzle**
Hot tightened, Pre assembled, Hardened Steel

SIZE A	DWG NO. AS-HE0042	REV. IR
------------------	-----------------------------	-------------------

SCALE NA	DO NOT SCALE DRAWING	SHEET 1 of 1
--------------------	-----------------------------	------------------------