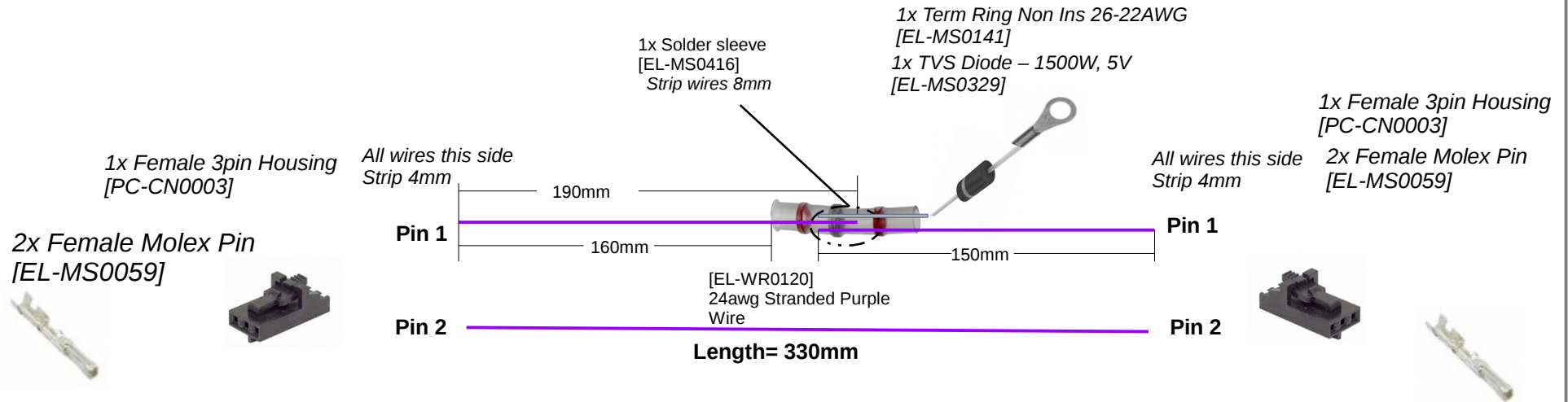



Notes: Unless otherwise specified
 Cut length +/- 3mm
 Molex strip length +/-0.5mm



Initial	comments	date	Rev
JW	update bom to have correct length of wire	03/25/19	A
JW	Add tvs diode	5/14/19	B
JW	Add part number of solder sleeve to drawing	7/23/19	C
JW	Update supplier and pn for tvs diode	8/7/19	D

			
DRAWN BY JW	DATE 2/25/19	TITLE CB Y Endstop Harness, Assembled	
CHECKED BY	DATE	FILE NAME EL-HR0177_CB_y_endstop_harness_revD.odg	SHEET 1
EL-HR0177			REV. D

AO P/n	qty	unit	Supplier	supplier P/n
EL-MS0059	4	pce	TTI	16-02-0086
EL-WR0120	670	mm	allcable	HU1569247 VT
PC-CN0003	2	pce	digikey	WM2901- ND
EL-MS0329	1	pce	Digikey	1N6373- E3/54
EL-MS0416	1	pce	tti	B-155-9002
EL-MS0141	1	pce	tti	P22-4R-M