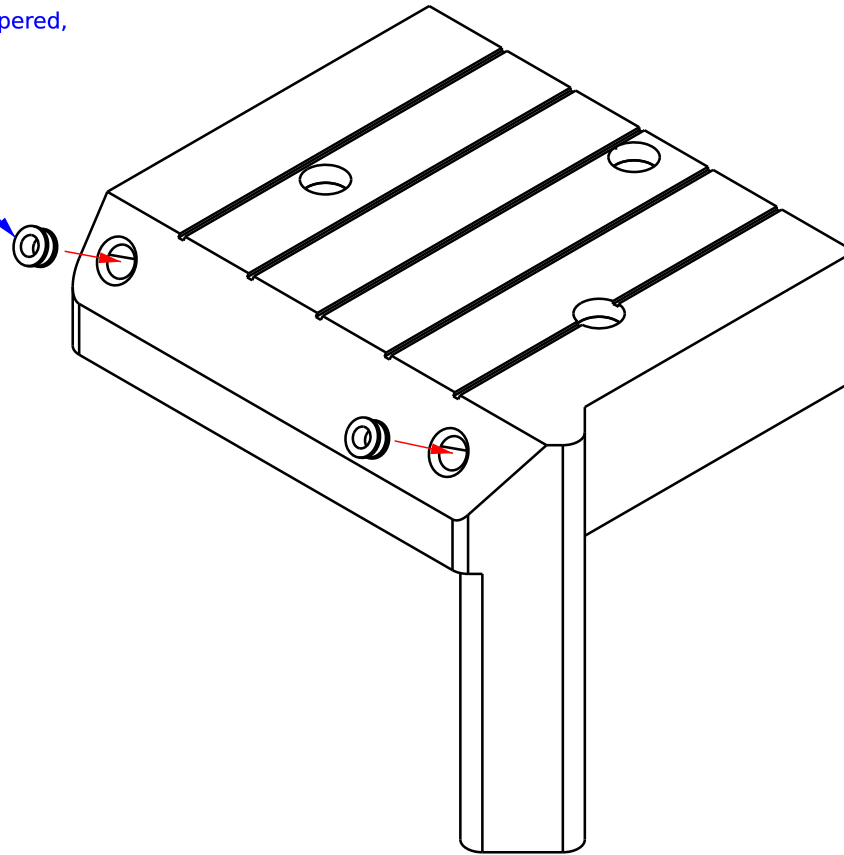



BoM
 2x HD-MS0030
 1x PP-GP0445

Metric Brass Heat-Set Insert for Plastics Tapered,
 M3-.5 Internal Thread, 3.8mm Length



Rev	Date	Change By	Change Notes:
A	8/7/2019	Tutley	Updated for v2.1 extruder cap

DRAWN BY: West	DATE: 5/6/19	 ALEPH OBJECTS INCORPORATED	626 West 66th Street Loveland, Colorado 80538, USA Phone +1-970-377-1111 www.alephobjects.com	
MATERIAL: N/A			TITLE Extruder Cap Inserts	
UNLESS OTHERWISE SPECIFIED DIMENSIONS ARE IN MILLIMETERS. TOLERANCES ARE:				
DECIMALS .X±.75 .XX±.25 .XXX±.125 .XXXX±.050	ANGLES X°±1° 63	SIZE A	DWG NO. PP-IS0118	REV. A
BREAK EDGES 0.1/0.5 FILLET RADIUS 0.1/0.5		SCALE N/A	DO NOT SCALE DRAWING	SHEET 1 of 1