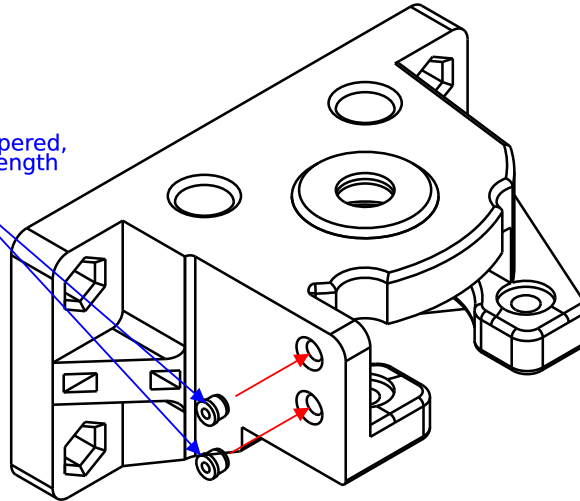



2xMetric Brass Heat-Set Insert for Plastics, Tapered,
 M2-.4 Internal Thread, 2.9MM Length



DRAWN BY: West		DATE: 5/6/19		 ALEPH OBJECTS INCORPORATED	626 West 66th Street Loveland, Colorado 80538, USA Phone +1-970-377-1111 www.alephobjects.com	
MATERIAL: NA						
UNLESS OTHERWISE SPECIFIED DIMENSIONS ARE IN MILLIMETERS. TOLERANCES ARE:				TITLE		
DECIMALS .X±.75 .XX±.25 .XXX±.125 .XXXX±.050		ANGLES X°±1° 63 ✓		y motor mount inserts		
BREAK EDGES 0.1/0.5 FILLET RADIUS 0.1/0.5		SIZE A	DWG NO. PP-IS0115		REV. IR	
		SCALE NA	DO NOT SCALE DRAWING		SHEET 1 of 1	