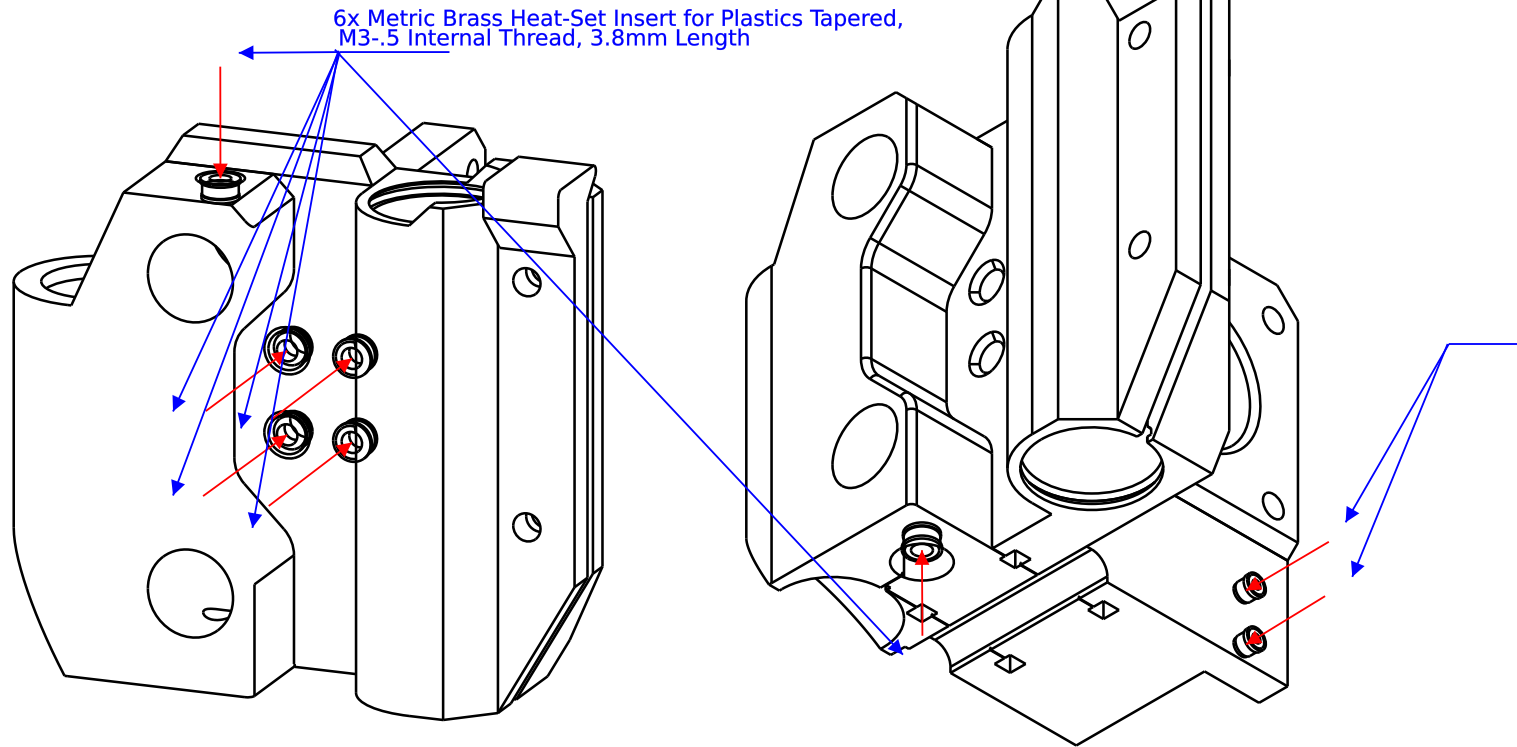


BoM  
 6x HD-MS0030  
 2x PP-MP0066



6x Metric Brass Heat-Set Insert for Plastics Tapered,  
 M3-.5 Internal Thread, 3.8mm Length

2x Metric Brass Heat-Set Insert for Plastics, Tapered,  
 M2-.4 Internal Thread, 2.9MM Length

Rev	Notes	Date	Initial
A	Update part number from as-pr0156 to as-pr0160	7/8/19	JW

DRAWN BY: <b>West</b>	DATE: <b>5/6/19</b>
MATERIAL: <b>NA</b>	
UNLESS OTHERWISE SPECIFIED DIMENSIONS ARE IN MILLIMETERS. TOLERANCES ARE:	
DECIMALS .X±.75 .XX±.25 .XXX±.125 .XXXX±.050	ANGLES X°±1°  63
BREAK EDGES 0.1/0.5 FILLET RADIUS 0.1/0.5	



**ALEPH  
 OBJECTS**  
 INCORPORATED

626 West 66th Street  
 Loveland, Colorado 80538, USA  
 Phone +1-970-377-1111  
 www.alephobjects.com

TITLE <b>x motor mount sub assmebly</b>			
SIZE <b>A</b>	DWG NO. <b>AS-PR0160</b>	REV. <b>A</b>	
SCALE <b>NA</b>	<b>DO NOT SCALE DRAWING</b>	SHEET	<b>1 of 1</b>