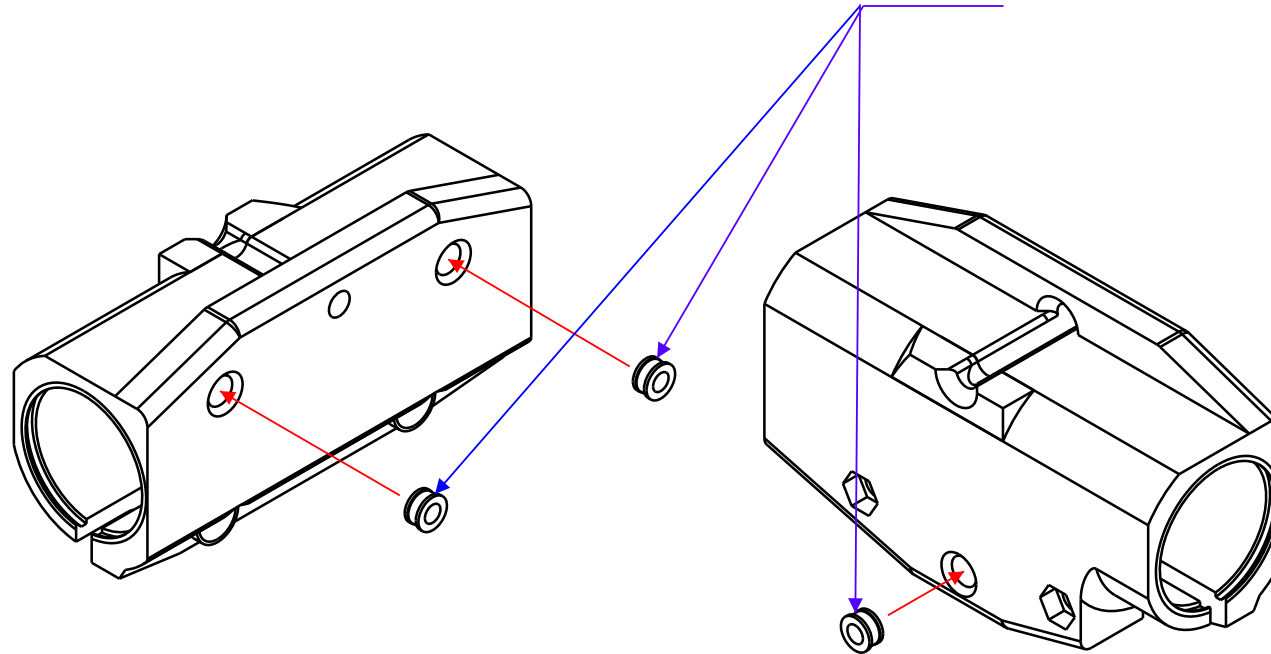



3X Metric Brass Heat-Set Insert for Plastics Tapered,
 M3-.5 Internal Thread, 3.8mm Length



DRAWN BY: West		DATE: 5/6/19		 ALEPH OBJECTS INCORPORATED	626 West 66th Street Loveland, Colorado 80538, USA Phone +1-970-377-1111 www.alephobjects.com	
MATERIAL: NA						
UNLESS OTHERWISE SPECIFIED DIMENSIONS ARE IN MILLIMETERS. TOLERANCES ARE:				TITLE		
DECIMALS	ANGLES	x double bearing holdersub assembly				
.X±.75	X°±1°					
.XX±.25		SIZE	DWG NO.		REV.	
.XXX±.125	63	A	AS-PR0159		IR	
.XXXX±.050		SCALE	NA	DO NOT SCALE DRAWING	SHEET	
BREAK EDGES 0.1/0.5 FILLET RADIUS 0.1/0.5					1 of 1	