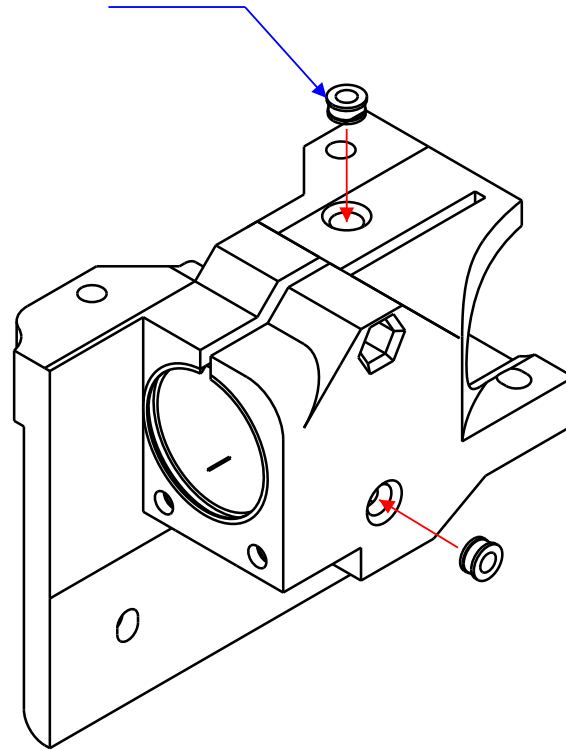


2X Metric Brass Heat-Set Insert for Plastics Tapered,
 M3-.5 Internal Thread, 3.8mm Length



DRAWN BY: West	DATE: 5/6/19
MATERIAL: NA	
UNLESS OTHERWISE SPECIFIED DIMENSIONS ARE IN MILLIMETERS. TOLERANCES ARE:	
DECIMALS .X±.75 .XX±.25 .XXX±.125 .XXXX±.050	ANGLES X°±1° 63
BREAK EDGES 0.1/0.5 FILLET RADIUS 0.1/0.5	



626 West 66th Street
 Loveland, Colorado 80538, USA
 Phone +1-970-377-1111
 www.alephobjects.com

TITLE x carriage sub assembly			
SIZE A	DWG NO. AS-PR0158	REV. IR	
SCALE NA	DO NOT SCALE DRAWING	SHEET	1 of 1