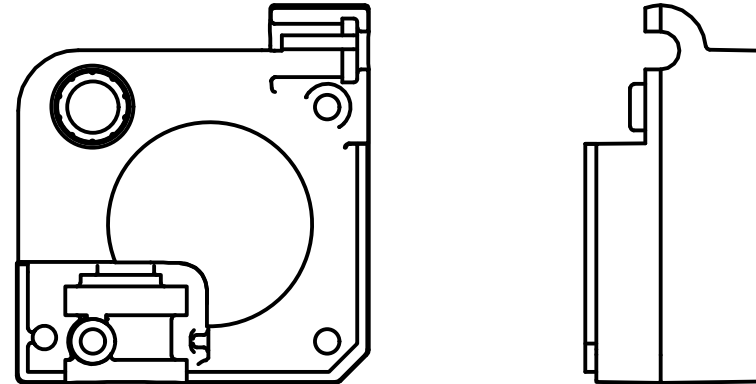
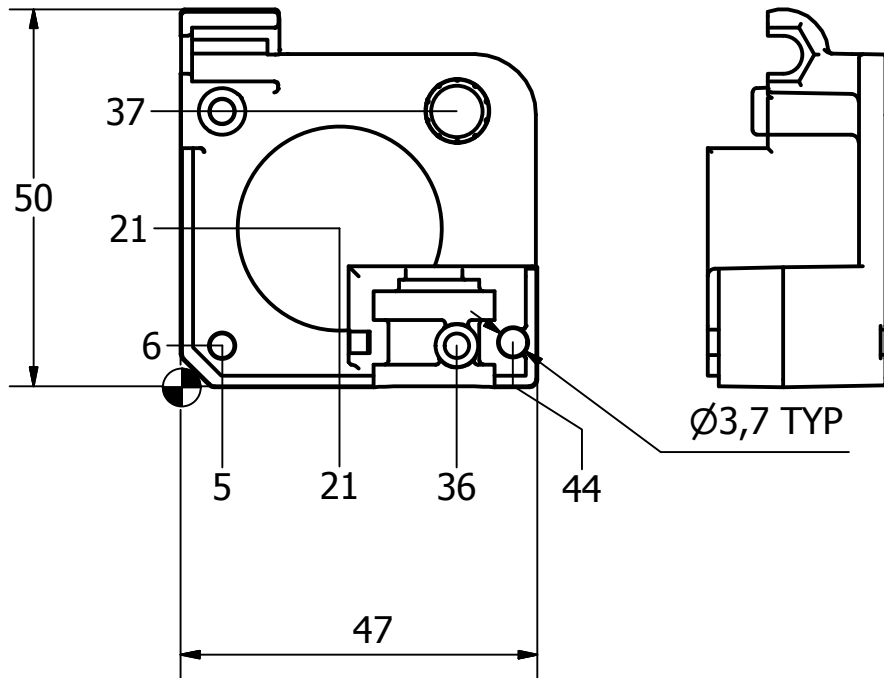


REVISION HISTORY

REV	DESCRIPTION	DATE	APPROVED
1	FIRST RELEASE	06/09/2017	ST
2	TOLERANCES UPDATED	22/02/2018	RY
3	TOLERANCES UPDATED	18/04/2018	RY

**TITAN-BODY-RH**




**TITAN-BODY-RH**

Copyright (C) E3D-Online Ltd (e3d-online.com)

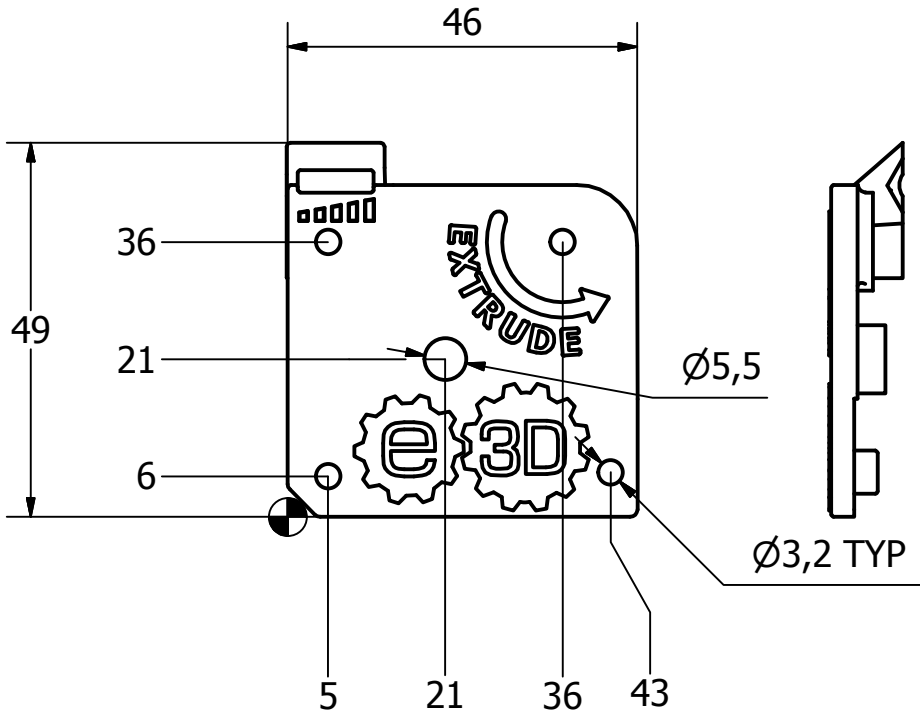
These drawings are free hardware: you can redistribute it and/or modify it under the terms of the GNU General Public License as published by the Free Software Foundation, either version 3 of the License, or (at your option) any later version.

TOLERANCES UNLESS OTHERWISE STATED:  
 X ±0,5  
 X.X ±0,2  
 X.XX ±0,05

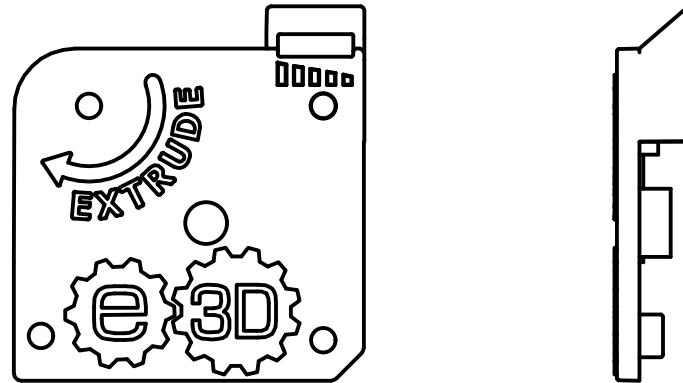
THIRD ANGLE PROJECTION  
 ALL DIMENSIONS IN MM  
 SCALE: 1.5:1  
 DEBUR AND BREAK SHARP EDGES

Designed by RY	Checked by ST	Approved by ST	Date 06/09/2017	Date 06/09/2017
 <b>E3D-ONLINE</b> your toolkit for everything 3D printing		Titan Injection Moulded Parts		
TITAN-IM-PARTS			Edition 3	Sheet 1 / 4

REVISION HISTORY			
REV	DESCRIPTION	DATE	APPROVED
1	FIRST RELEASE	06/09/2017	ST
2	TOLERANCES UPDATED	22/02/2018	RY
3	TOLERANCES UPDATED	18/04/2018	RY




**TITAN-LID-RH**



**TITAN-LID-LH**

Copyright (C) E3D-Online Ltd (e3d-online.com)

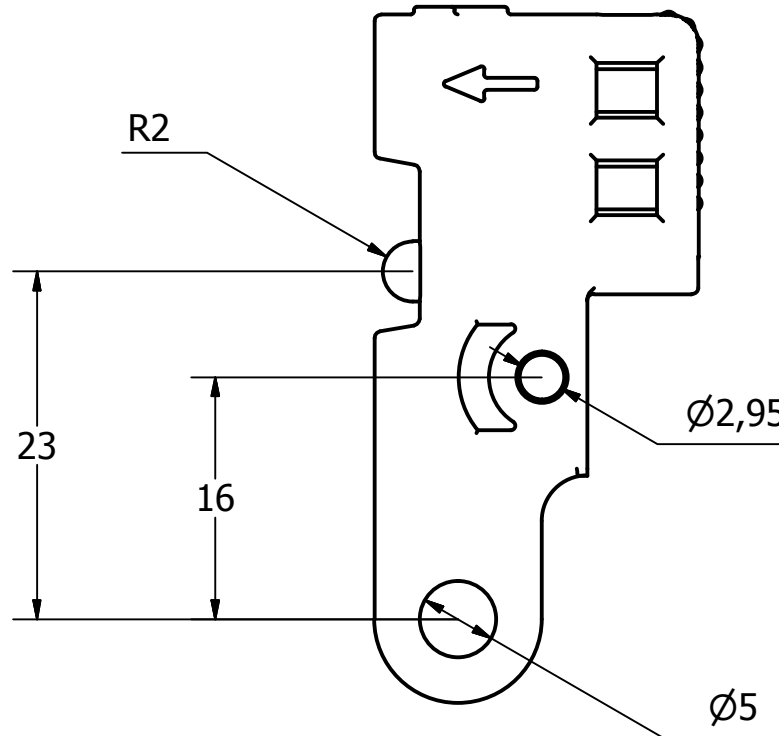
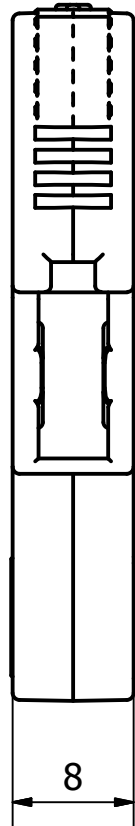
These drawings are free hardware: you can redistribute it and/or modify it under the terms of the GNU General Public License as published by the Free Software Foundation, either version 3 of the License, or (at your option) any later version.

Designed by RY	Checked by ST	Approved by ST	Date 06/09/2017	Date 06/09/2017
 <b>E3D-ONLINE</b> your toolkit for everything 3D printing		Titan Injection Moulded Parts		
TITAN-IM-PARTS			Edition 3	Sheet 2 / 4

# TITAN-IDLER-2.1

## REVISION HISTORY


REV	DESCRIPTION	DATE	APPROVED
1	FIRST RELEASE	06/09/2017	ST
2	TOLERANCES UPDATED	22/02/2018	RY
3	TOLERANCES UPDATED	18/04/2018	RY

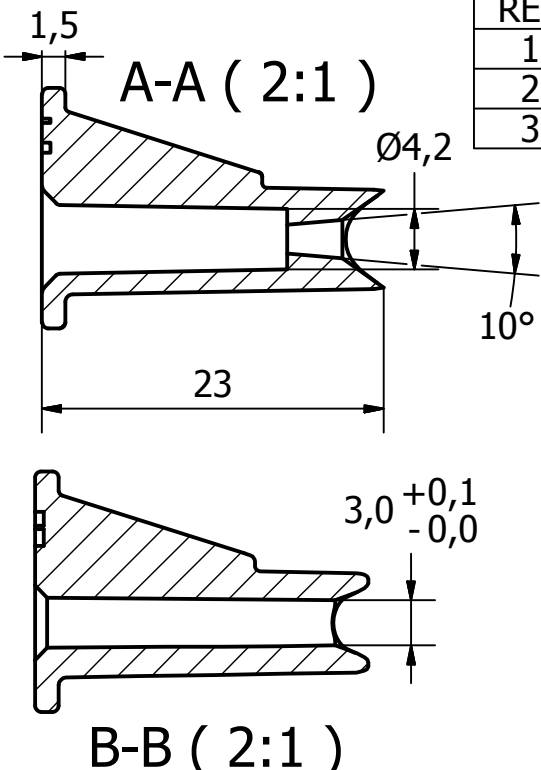
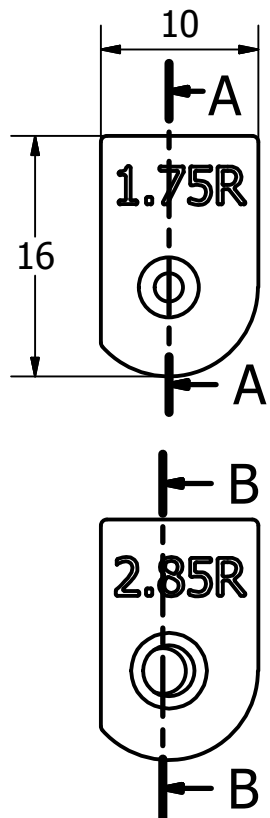


Copyright (C) E3D-Online Ltd (e3d-online.com)

These drawings are free hardware: you can redistribute it and/or modify it under the terms of the GNU General Public License as published by the Free Software Foundation, either version 3 of the License, or (at your option) any later version.

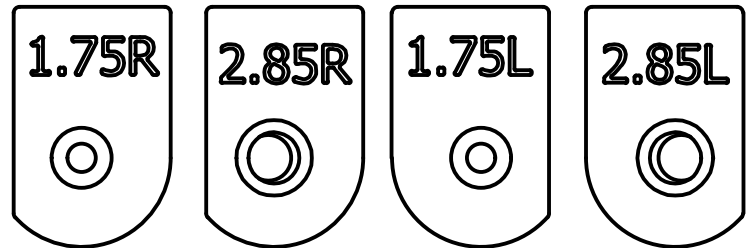
Designed by RY	Checked by ST	Approved by ST	Date 06/09/2017	Date 06/09/2017
-------------------	------------------	-------------------	--------------------	--------------------

 <b>E3D-ONLINE</b> your toolkit for everything 3D printing	Titan Injection Moulded Parts	
	TITAN-IM-PARTS	Edition 3



REVISION HISTORY			
REV	DESCRIPTION	DATE	APPROVED
1	FIRST RELEASE	06/09/2017	ST
2	TOLERANCES UPDATED	22/02/2018	RY
3	TOLERANCES UPDATED	18/04/2018	RY

## TITAN-PTFE-HOLDER-ALL



Copyright (C) E3D-Online Ltd (e3d-online.com)

These drawings are free hardware: you can redistribute it and/or modify it under the terms of the GNU General Public License as published by the Free Software Foundation, either version 3 of the License, or (at your option) any later version.

TABLE		Designed by		Checked by		Approved by		Date	
PART NO	MARKING	RY	ST	ST	06/09/2017	06/09/2017			
TITAN-PTFE-HOLDER-175-RH	1.75R					Titan Injection Moulded Parts			
TITAN-PTFE-HOLDER-300-RH	2.85R								
TITAN-PTFE-HOLDER-175-LH	1.75L					TITAN-IM-PARTS		Edition	Sheet
TITAN-PTFE-HOLDER-300-LH	2.85L							3	4 / 4