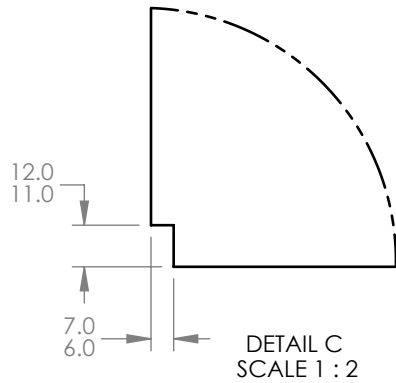
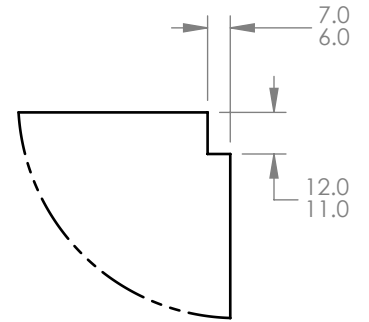


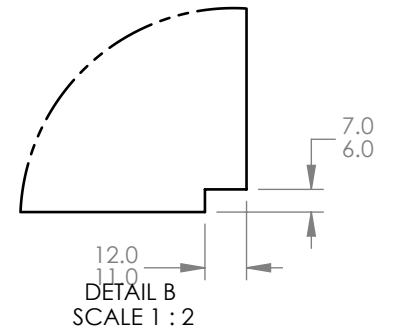
DETAIL D  
SCALE 1 : 2



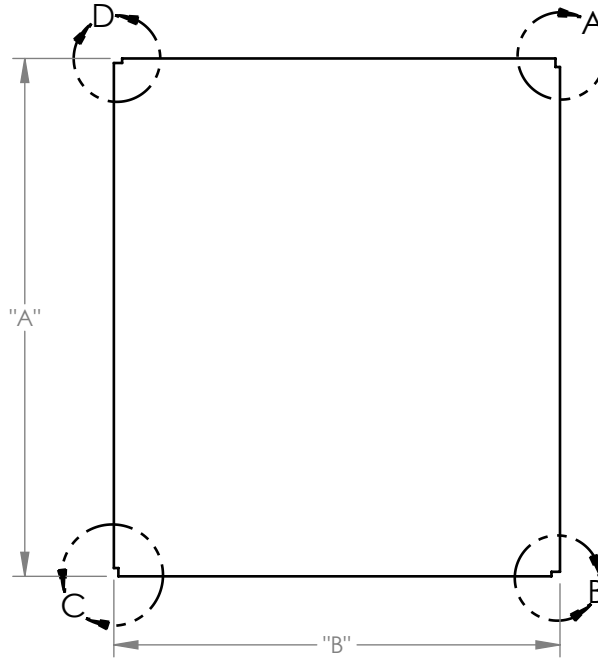
DETAIL C  
SCALE 1 : 2



DETAIL A  
SCALE 1 : 2



DETAIL B  
SCALE 1 : 2



DESCRIPTION	"A"	"B"
SIDES	590mm	685mm
TOP	810mm	685mm
BACK	810mm	590mm

DRAWN BY  
SINNEMA 5/29/14

MATERIAL  
Acrylic Sheet

UNLESS OTHERWISE SPECIFIED  
DIMENSIONS ARE IN MILLIMETERS.  
TOLERANCES ARE:

DECIMALS	ANGLES
.X ± .75	X° ± 1°
.XX ± .25	
.XXX ± .125	
.XXXX ± .050	63

BREAK EDGES .005/.020  
FILLET RADIUS .005/.020



Sinnema Design Services

seth.sinnema@gmail.com  
Phone: (303) 250-8218  
Fax: 1-267-393-7872

TITLE

Cat guard plates

SIZE  
A

DWG NO.

REV.  
A

SCALE 1:10

DO NOT SCALE DRAWING

SHEET 1 OF 1