

F

E

D

C

B

A

4

4

3

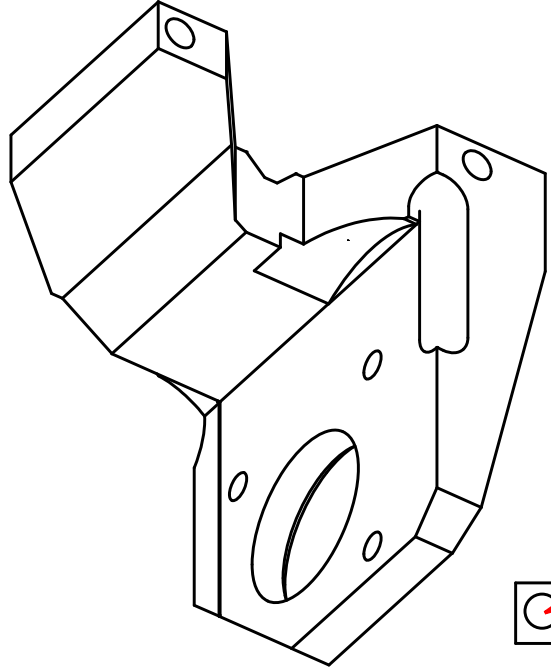
3

2

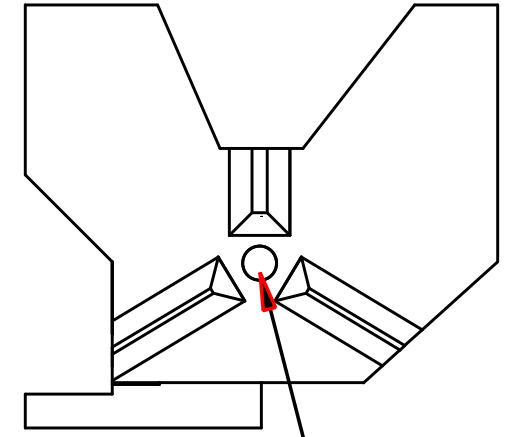
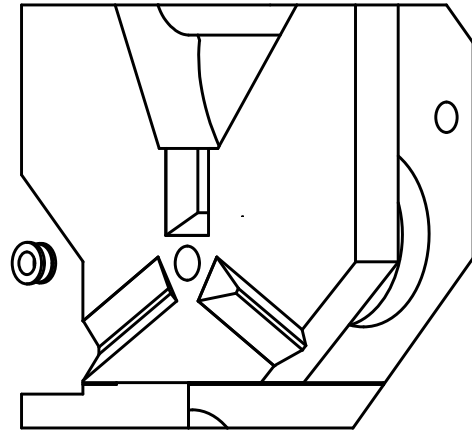
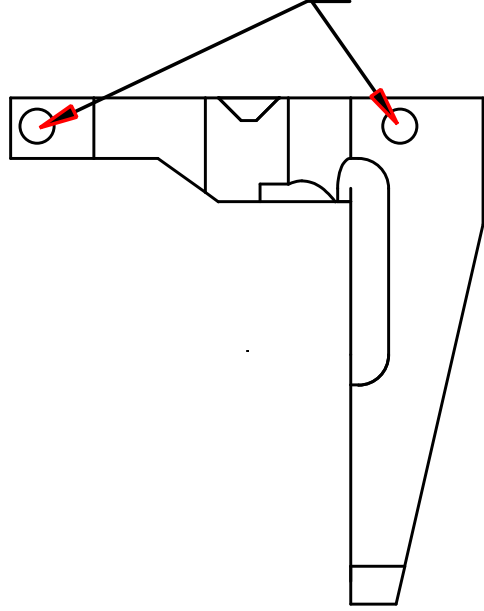
2

1

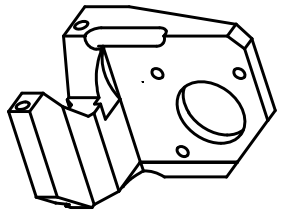
1




2X M3 Brass Insert [HD-MS0030]



1X M3 Brass Insert [HD-MS0030]



DESIGNED BY: Tutley		Extruder_mount_inserts		G	-
DATE: 3/9/18		Banded Tiger / Dinky Cutworm		F	-
SIZE A4				E	-
SCALE 1:1				D	-
WEIGHT (kg) N/A	DRAWING NUMBER PP-IS0070		C	-	
		SHEET 1/1	B	-	
			A	X	

F

E

D