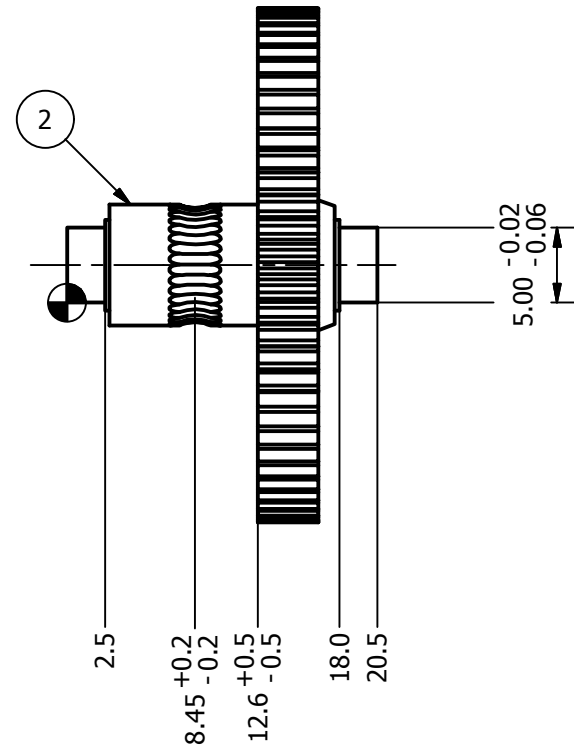
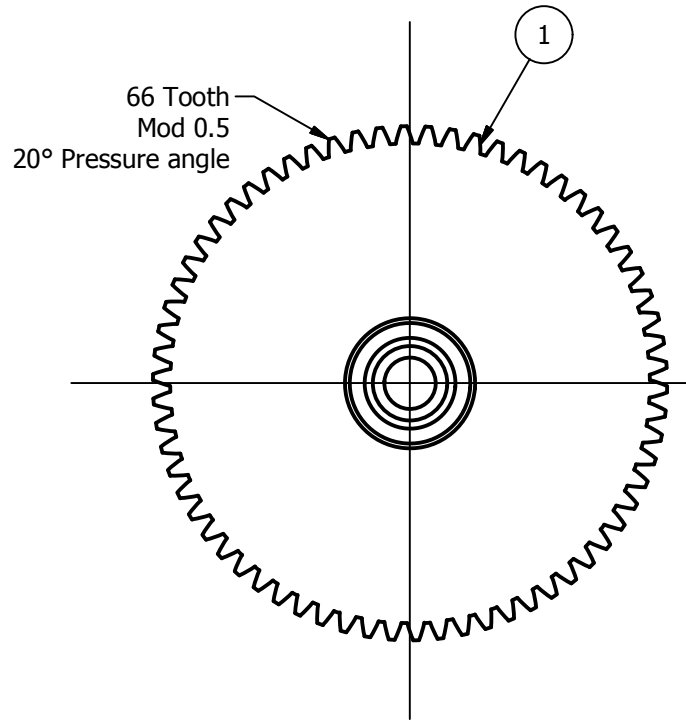


PARTS LIST		
ITEM	QTY	DESCRIPTION
1	1	Delrin Gear
2	1	Hobbed Shaft

REVISION HISTORY			
REV	DESCRIPTION	DATE	APPROVED
1	First Release	08/02/18	RY




Copyright (C) E3D-Online Ltd (e3d-online.com)

THIRD ANGLE PROJECTION
ALL DIMENSIONS IN MM
SCALE: 2:1
SURFACE FINISH: UNFINISHED UNLESS STATED

These drawings are free hardware: you can redistribute it and/or modify it under the terms of the GNU General Public License as published by the Free Software Foundation, either version 3 of the License, or (at your option) any later version.

TOLERANCES UNLESS OTHERWISE STATED:
X ±0.2
X.X ±0.1
X.XX ±0.05

Designed by RY	Checked by RY	Approved by RY	Date 08/02/2018	Date 08/02/2018	
 E3D-ONLINE your toolkit for everything 3D printing			Titan Hobb + Gear		
			TITAN-HOBB	Edition 1	Sheet 1 / 1